

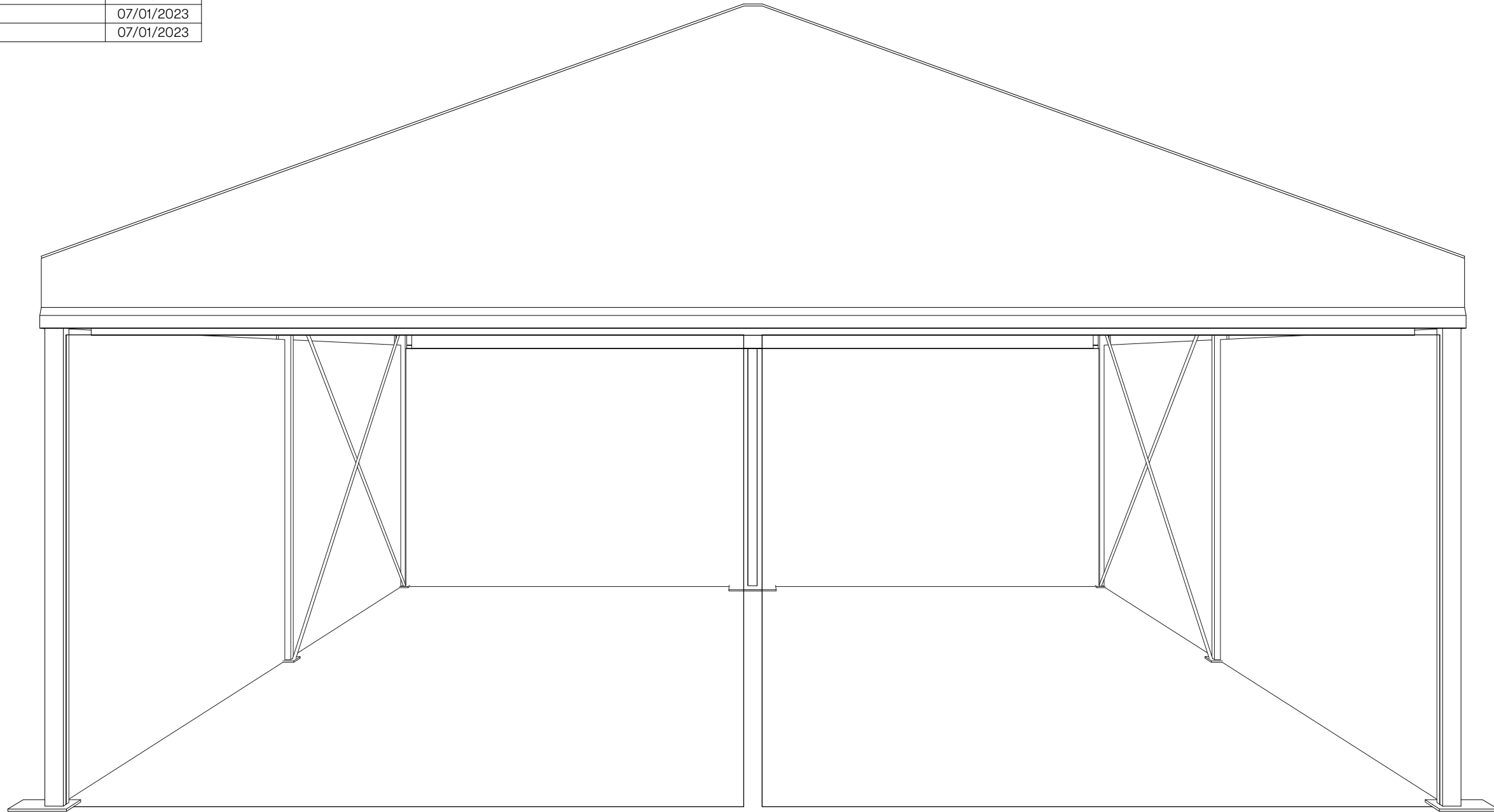
6m x 6m Clearspan

MIFGS, REB

Artist's Impression

Plants and props are a representation only. Graphics to be supplied by the client.

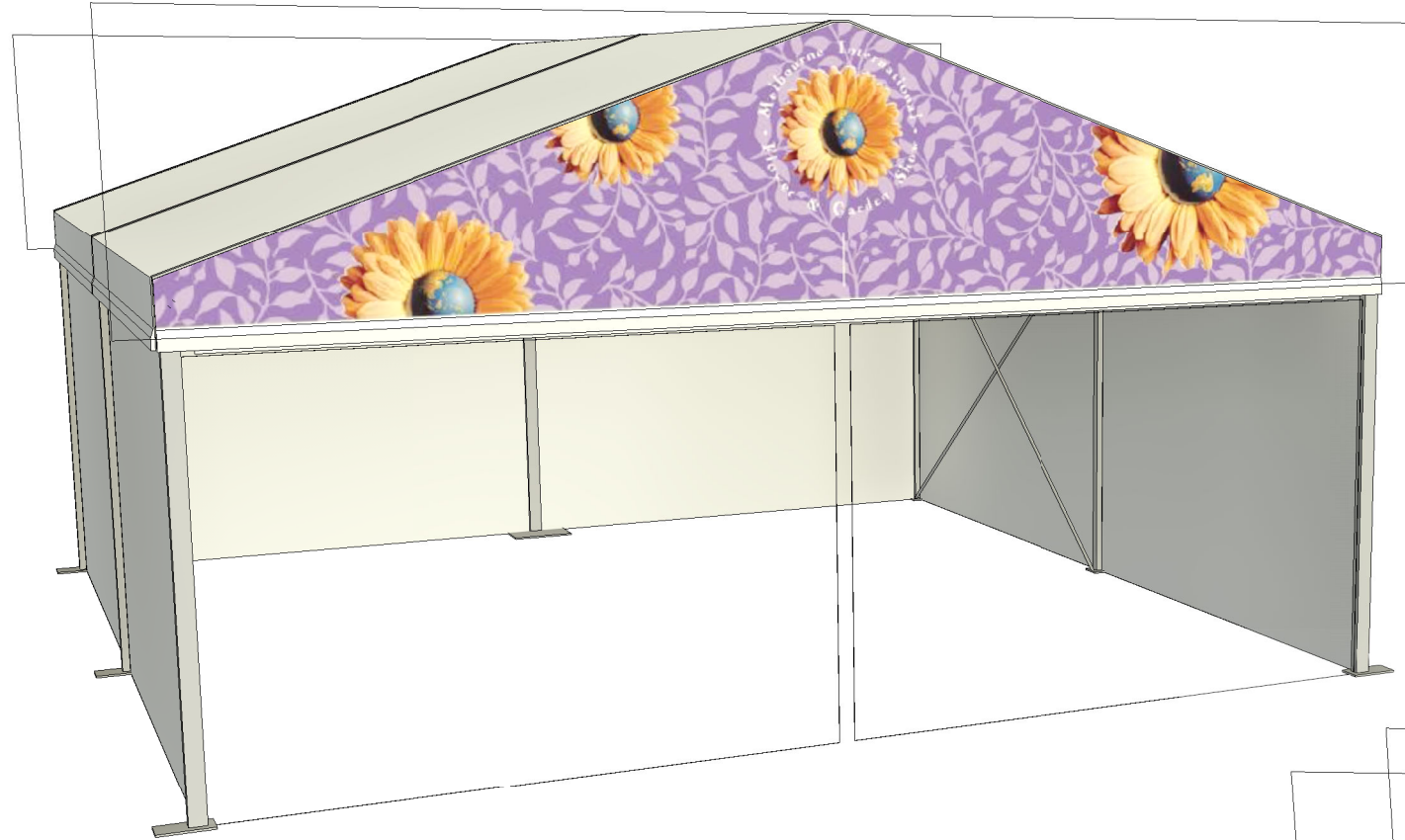
Sheet List		
Sheet Number	Sheet Name	Drawn Date
A01	Title Page	07/01/2023
A02	Perspective View	07/01/2023
A03	Plan and Elevations	07/01/2023
C01	Walling Plan	07/01/2023



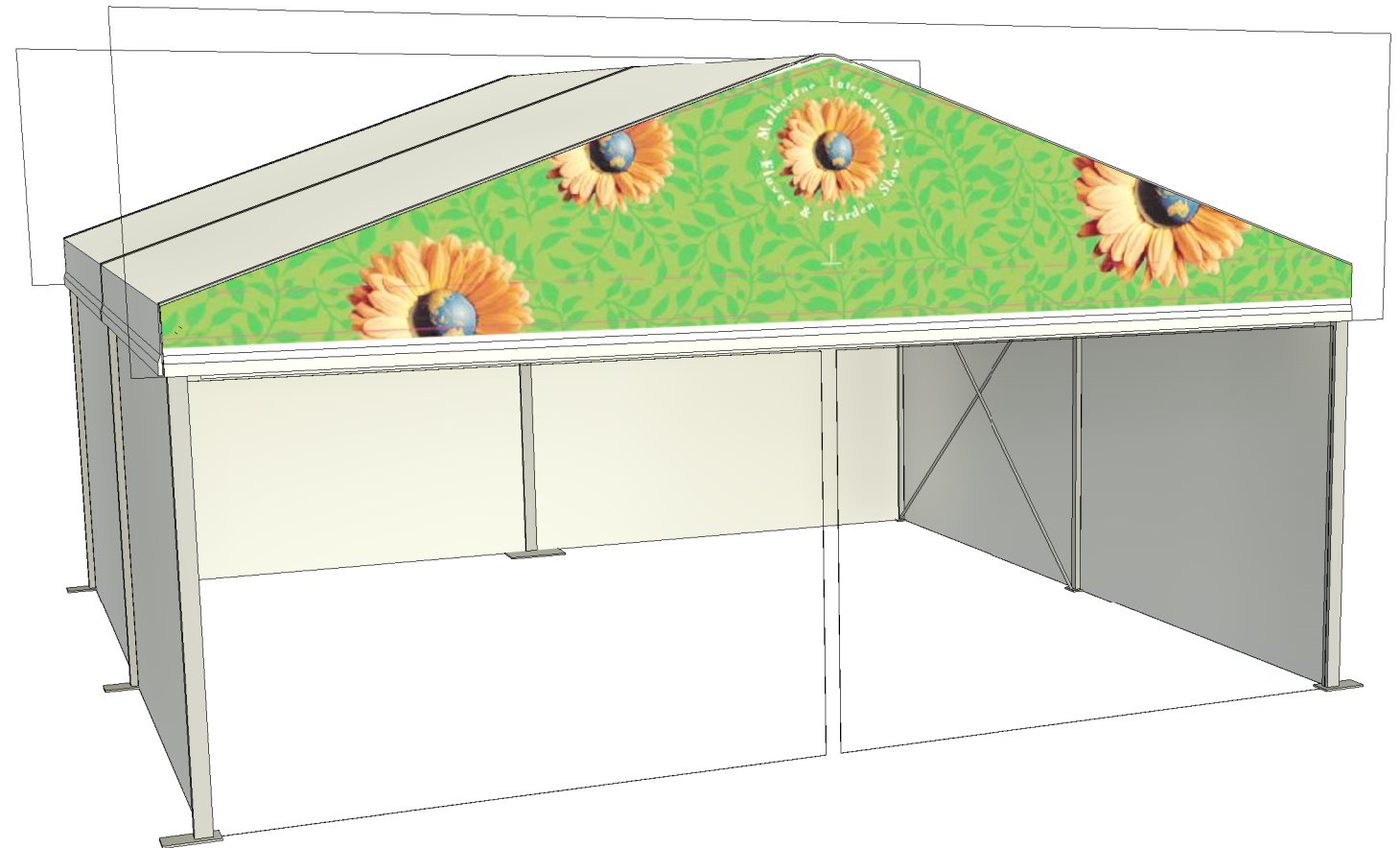
Perspective View

Artist's Impression

Plants and props are a representation only.
Graphics to be supplied by the client.



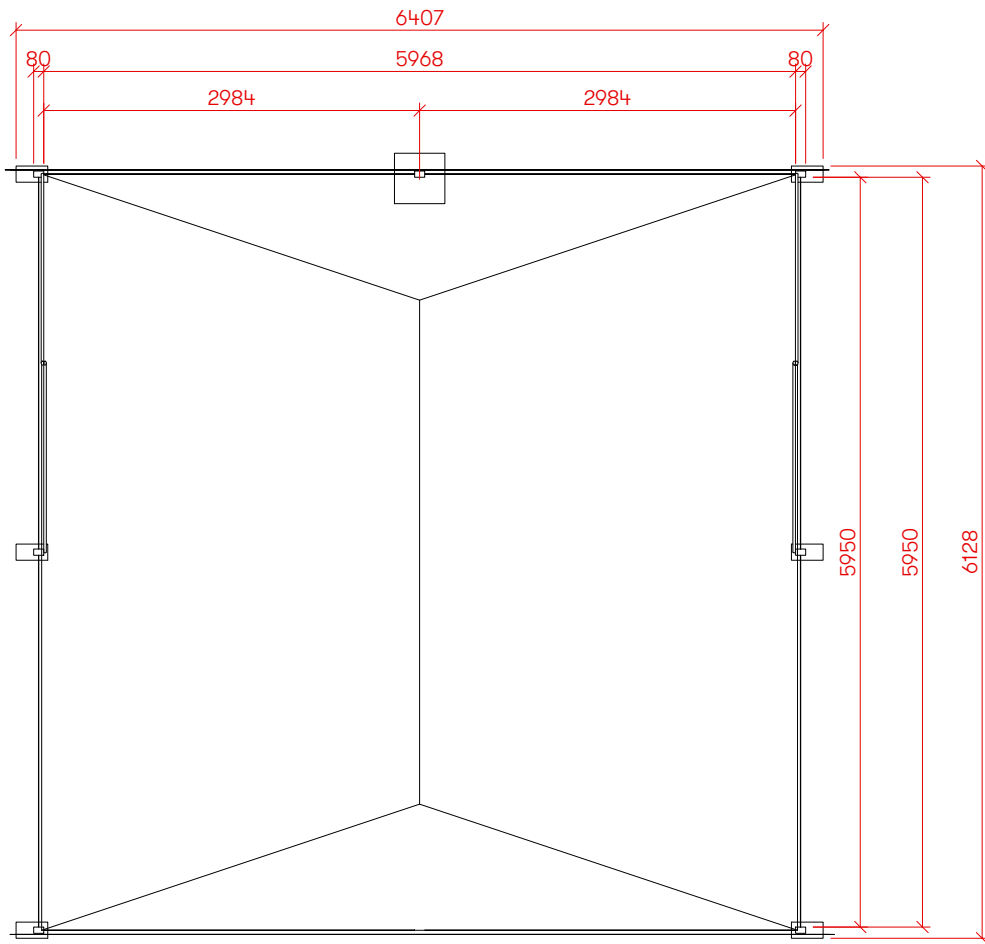
1 3D View Purple Gable
A02



2 3D View Green Gable
A02

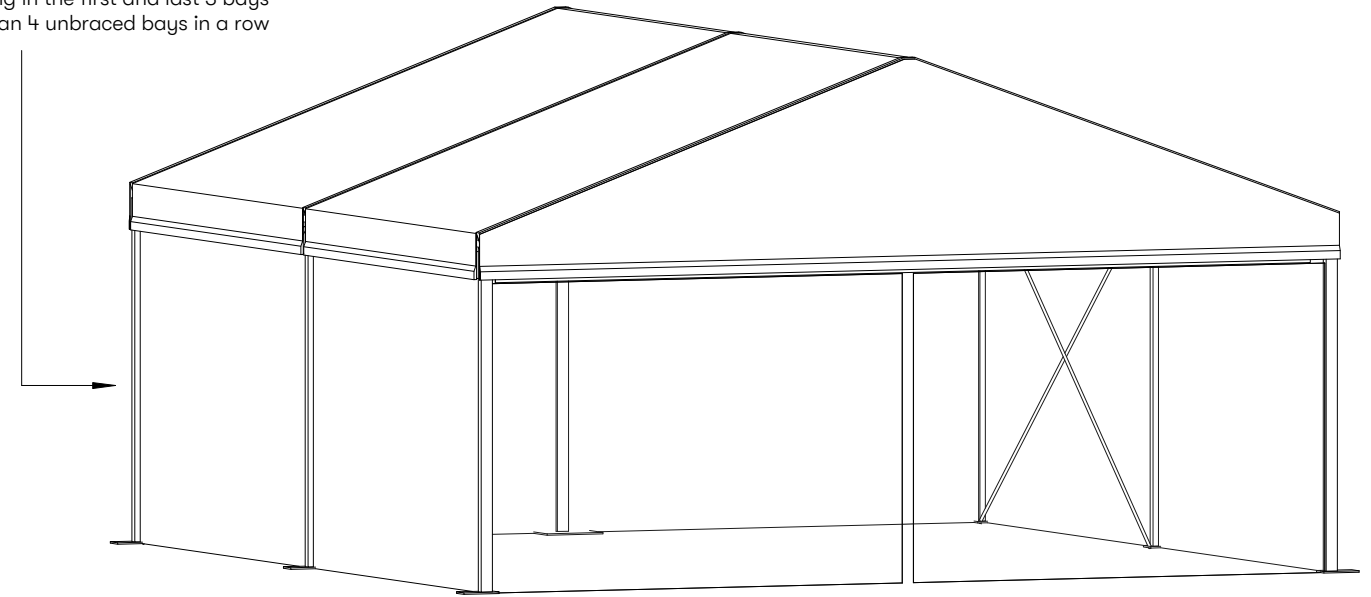


Plan and Elevations

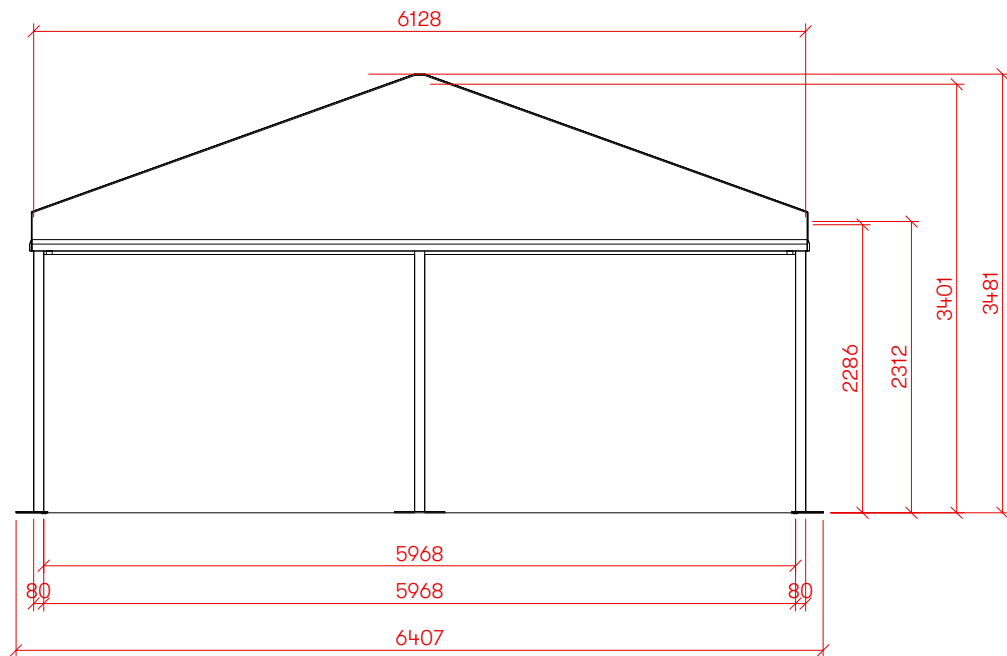


1 **Plan View**
A03 1:60

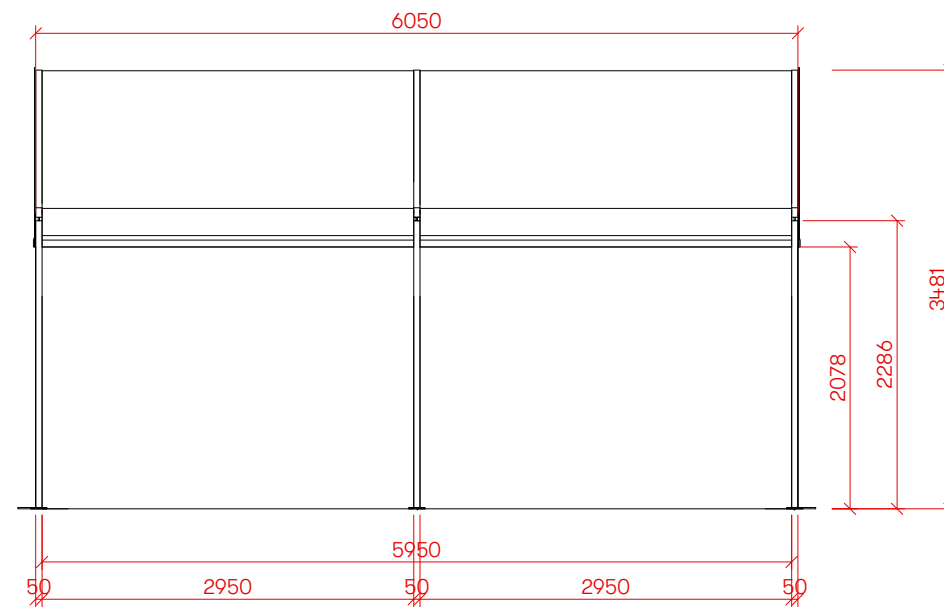
Structure is to be built in 3m bays
Bracing requirements:
3 Bays or less - Bracing in any bay
4 or more Bays - Bracing in the first and last 3 bays
With no more than 4 unbraced bays in a row



4 **3D View**
A03



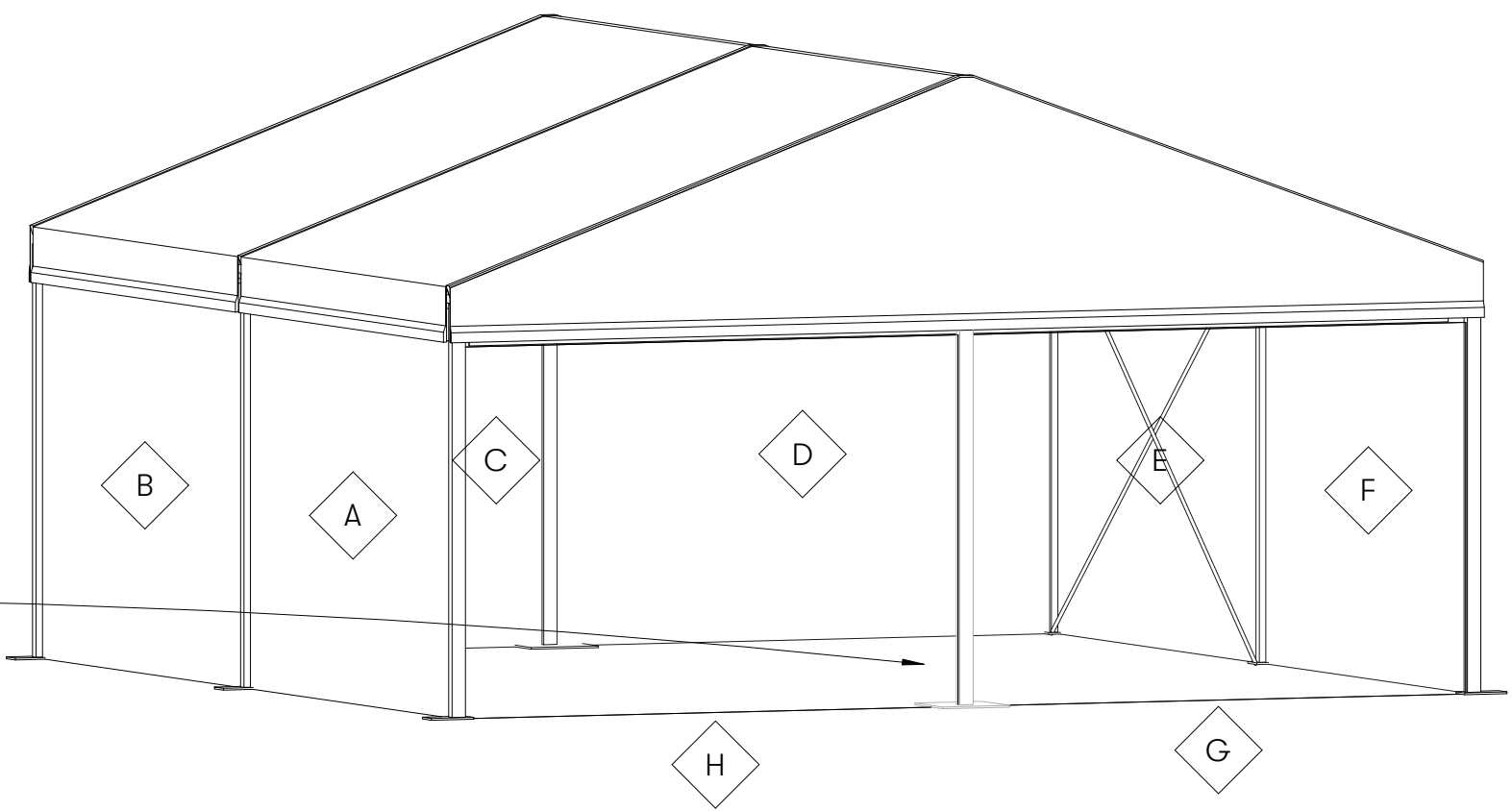
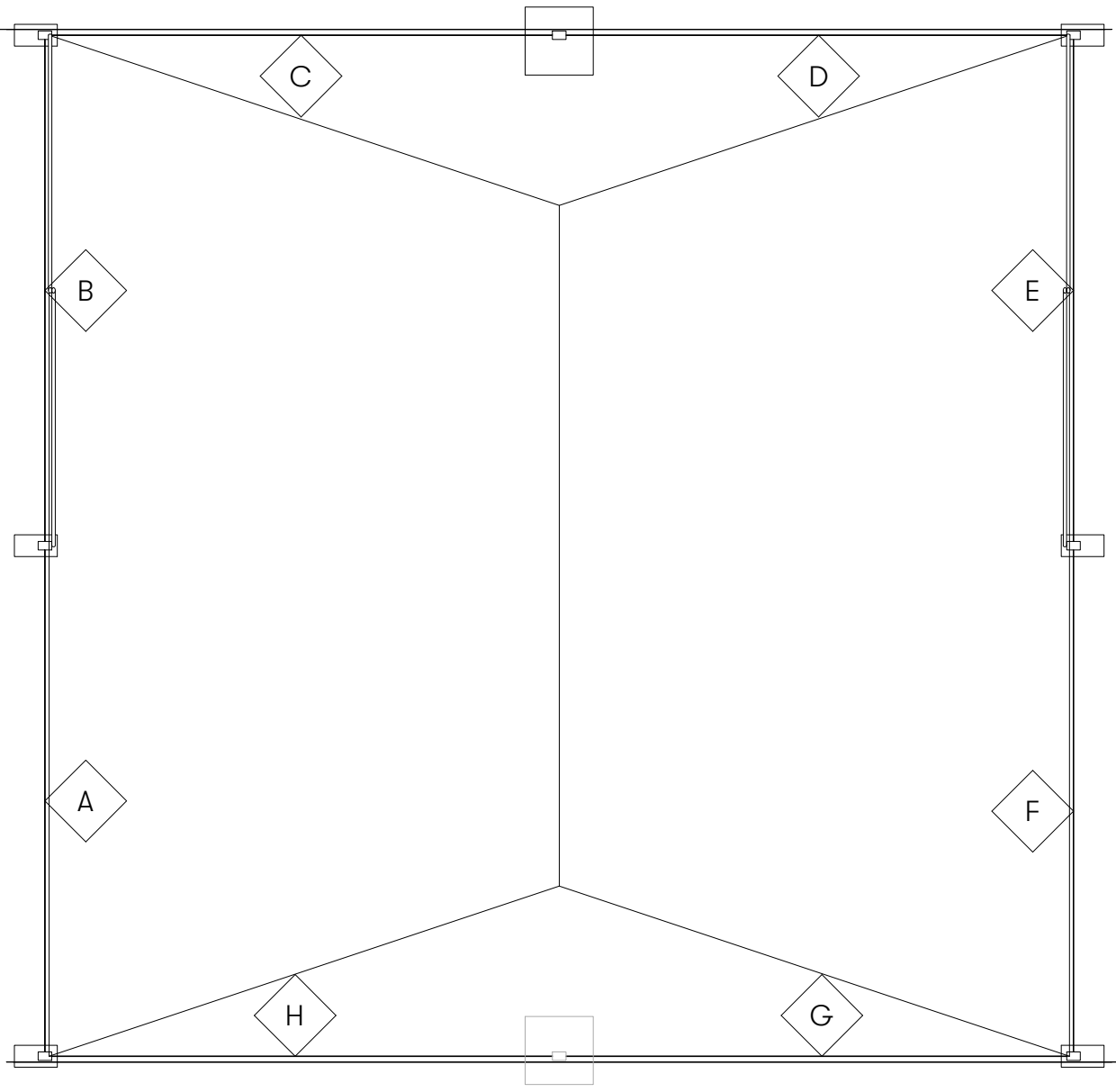
2 **Elevation - Front**
A03 1:60



3 **Elevation - Right**
A03 1:60



Walling Plan



Note:
If a front wall is required a concrete block
and marquee leg must be installed.